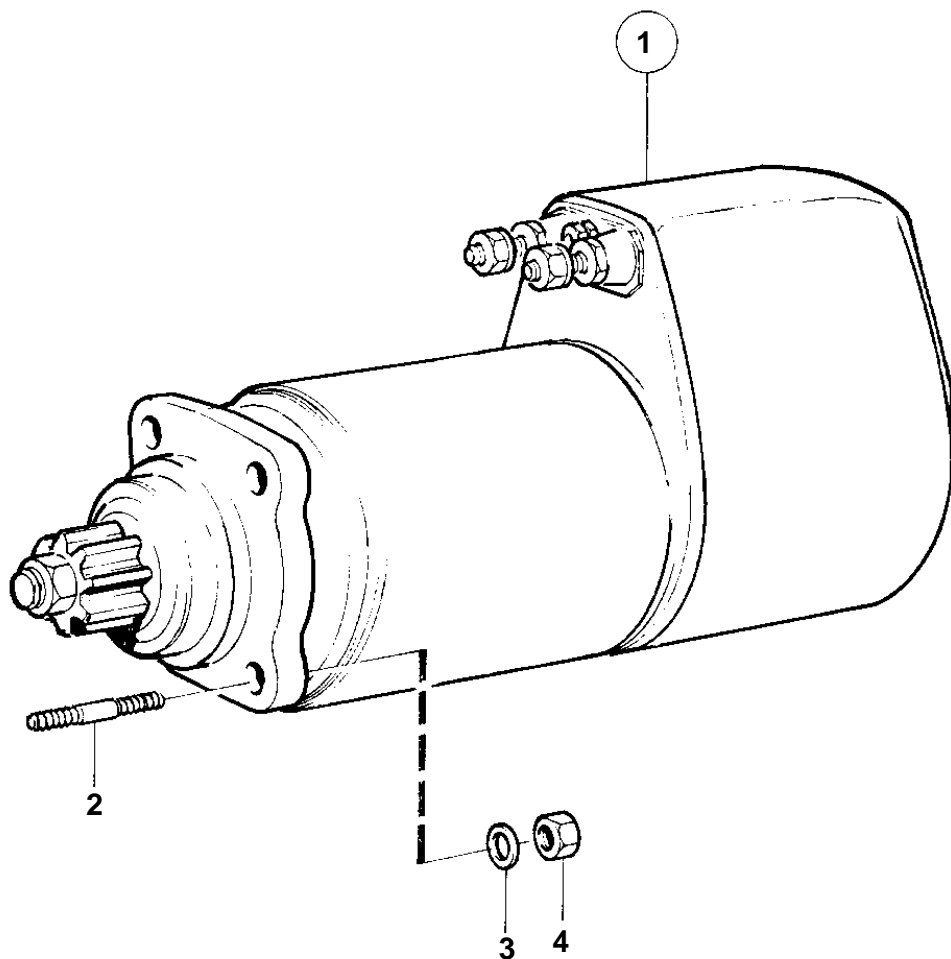


TAD1030P, TAMD102D, TD1010G, TWD1010G, TAD1030G



TAD1030P, TAMD102D, TD1010G, TWD1010G, TAD1030G

REF	PART NO.	QTY	DESCRIPTION	SEE SEC.	NOTES
1	847330	1	Starter motor		24V
				121	
2	953486	3	Stud		
3	942336	3	Spring washer		
4	955827	3	Nut		